

V-Dry coolers with a single row of fans

De Mark AWSV is a serie of Dry Coolers with two coils and a single row of fans, arranged in a “V-shape”. Both the standard version and the low-noise version are available in cooling capacities from 130 kW to 964 kW. Larger capacities on request.

The AWSV Dry Coolers are compact and robust. They are made of galvanized steel for both horizontal and vertical mounting using the correct kit. The units are equipped with anchor and lifting points for placement.

The chassis and housing are fully protected with a paint layer with a high corrosion resistance that offers maximum weather resistance. The parts are each coated in RAL 9002 prior to assembly.

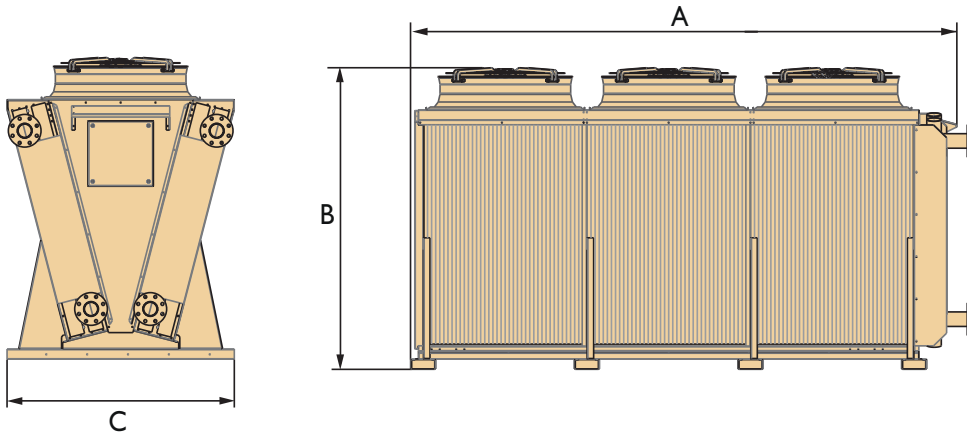
Mark single row V-Dry Coolers are equipped with heat exchangers with a copper tube and aluminum fins. They are equipped with a steel threaded connection.

The fans incorporate 3-phase asynchronous external rotor motors with IP54 protection level, class F insulation, with the possibility of connecting them in star or delta, having in this way two speeds of operation.

Features Mark AWSV

- Optimized EC fans
- Multi circuit water connection
- Compact
- Quiet
- Robust
- Economical
- Completely wired up to the terminal box

Dimensions



AWSVN series - Ø 800 mm fans - standard version

Type	Number of fans	Surface m ²	Internal volume dm ³	Connection Ø	A mm	B mm	C mm	Weight kg
AWSVN-42C-130M	2	402	53	2"	2342	1875	1390	710
AWSVN-42D-148M		536	70					757
AWSVN-43C-195M	3	603	79	2"	3342	1875	1390	1029
AWSVN-43D-222M		804	106					1100
AWSVN-44C-261M	4	804	106	2" 1/2	4342	1875	1390	1275
AWSVN-44D-296M		1072	141					1370
AWSVN-45C-326M	5	1005	132	2" 1/2	5342	1875	1390	1560
AWSVN-45D-371M		1340	177					1679
AWSVN-46C-392M	6	1206	159	3"	6342	1875	1390	1834
AWSVN-46D-445M		1608	212					1976

AWSVB series - Ø 800 mm fans - low noise fans

Type	Number of fans	Surface m ²	Internal volume dm ³	Connection Ø	A mm	B mm	C mm	Weight kg
AWSVB-42C-97M	2	402	53	2"	2342	1875	1390	700
AWSVB-42D-108M		536	70					747
AWSVB-43C-146M	3	603	79	2"	3342	1875	1390	1014
AWSVB-43D-162M		804	106					1085
AWSVB-44C-195M	4	804	106	2" 1/2	4342	1875	1390	1255
AWSVB-44D-217M		1072	141					1350
AWSVB-45C-244M	5	1005	132	2" 1/2	5342	1875	1390	1535
AWSVB-45D-272M		1340	177					1654
AWSVB-46C-293M	6	1206	159	3"	6342	1875	1390	1804
AWSVB-46D-326M		1608	212					1946

AWSVN series - Ø 910 mm fans - standard version

Type	Number of fans	Surface	Internal volume	Connection	A	B	C	Weight
		m ²	dm ³	Ø	mm	mm	mm	
AWSVN-52C-195M	2	712	93	2" 1/2	3425	2047	1390	993
AWSVN-52D-220M		950	125					1076
AWSVN-52F-244M		1425	187					1242
AWSVN-53C-287M	3	1069	140	2" 1/2	4925	2047	1390	1405
AWSVN-53D-324M		1425	187					1531
AWSVN-53F-361M		2138	281					1781
AWSVN-54C-390M	4	1425	187	3"	6425	2047	1390	1919
AWSVN-54D-439M		190	250					2085
AWSVN-54F-488M		2851	375					2417
AWSVN-55C-493M	5	1781	234	4"	7925	2047	1390	2159
AWSVN-55D-555M		2375	312					2365
AWSVN-55F-615M		3563	469					2777
AWSVN-56C-535M	6	2382	273	4"	9425	2047	1390	2492
AWSVN-56D-618M		3176	364					2720
AWSVN-56F-715M		4624	546					3177
AWSVN-57C-629M	7	2779	319	4"	10925	2047	1390	2870
AWSVN-57D-727M		3705	425					3136
AWSVN-57F-840M		5558	638					3667
AWSVN-58D-835M	8	4235	486	5"	12425	2047	1390	3551
AWSVN-58F-964M		6353	729					4158

Technical information

AWSVN series - Ø 800 mm fans - standard version

Type	~ 400v/50 Hz Connection Δ					~ 400v/50 Hz Connection Y				
	Capacity	Mass flow	Pressure drop	Power consumption	Sound	Capacity	Mass flow	Pressure drop	Power consumption	Sound
	kW	m ³ /h	kPa	kW	dB(A)	kW	m ³ /h	kPa	kW	dB(A)
AWSVN-42C-130M	130	23	37	3,88	49	106	18	26	2,42	43
AWSVN-42D-148M	148	26				118	21	25		
AWSVN-43C-195M	195	34	38	5,82	51	159	28	27	3,63	45
AWSVN-43D-222M	222	39				177	31	26		
AWSVN-44C-261M	261	45	40	7,76	52	212	37	28	4,84	46
AWSVN-44D-296M	296	52				237	41	27		
AWSVN-45C-326M	326	57	44	9,7	53	266	46	31	6,05	47
AWSVN-45D-371M	371	64	45			297	52	30		
AWSVN-46C-392M	392	68	48	11,64	54	319	56	34	7,26	48
AWSVN-46D-445M	445	77	50			356	62	34		

Room (environment) temperature = 25 °C. Water inlet T = 40 °C. Water outlet T = 35 °C.

AWSVB series - Ø 800 mm fans - low noise fans

Type	~ 400v/50 Hz Connection Δ					~ 400v/50 Hz Connection Y				
	Capacity	Mass flow	Pressure drop	Power consumption	Sound	Capacity	Mass flow	Pressure drop	Power consumption	Sound
	kW	m³/h	kPa	kW	dB(A)	kW	m³/h	kPa	kW	dB(A)
AWSVB-42C-97M	97	17	22	1,66	41	85	15	17	1	38
AWSVB-42D-108M	108	19	21			93	16	16		37
AWSVB-43C-146M	146	25	23	2,49	43	128	22	18	1,5	39
AWSVB-43D-162M	162	28	22			140	24	17		39
AWSVB-44C-195M	195	34	24	3,32	44	170	30	19	2	41
AWSVB-44D-217M	217	38	23			187	32	18		40
AWSVB-45C-244M	244	42	26	4,15	45	213	37	21	2,5	41
AWSVB-45D-272M	272	47	26			234	41	20		41
AWSVB-46C-293M	293	51	29	4,98	46	256	45	23	3	42
AWSVB-46D-326M	326	57	29			281	49	22		42

Room (environment) temperature = 25 °C. Water inlet T = 40 °C. Water outlet T = 35 °C.

AWSVN series - Ø 910 mm fans - standard version

Type	~ 400v/50 Hz Connection Δ					~ 400v/50 Hz Connection Y				
	Capacity	Mass flow	Pressure drop	Power consumption	Sound	Capacity	Mass flow	Pressure drop	Power consumption	Sound
	kW	m³/h	kPa	kW	dB(A)	kW	m³/h	kPa	kW	dB(A)
AWSVN-52C-195M	195	33	34	4,96	53	160	27	24	3,14	47
AWSVN-52D-220M	220	38	27		52	177	30	19		47
AWSVN-52F-244M	244	42	18		52	193	33	12		47
AWSVN-53C-287M	287	49	20	7,44	54	235	40	14	4,71	49
AWSVN-53D-324M	324	56	18		54	262	45	12		49
AWSVN-53F-361M	361	62	16		54	286	49	10		48
AWSVN-54C-390M	390	57	36	9,92	56	320	55	25	6,28	50
AWSVN-54D-439M	439	76	30		55	355	61	20		50
AWSVN-54F-488M	488	84	31		55	386	67	20		50
AWSVN-55C-493M	493	85	59	12,4	56	404	70	42	7,85	51
AWSVN-55D-555M	555	96	45		56	448	77	31		51
AWSVN-55F-615M	615	106	29		56	487	84	19		50
AWSVN-56C-535M	535	92	60	14,88	58	447	77	44	9,42	52
AWSVN-56D-618M	618	107	49		57	510	88	35		52
AWSVN-56F-715M	715	124	34		57	575	99	23		52
AWSVN-57C-629M	629	109	92	17,36	58	526	91	67	10,99	53
AWSVN-57D-727M	727	126	75		58	599	104	53		52
AWSVN-57F-840M	840	145	52		58	675	117	35		52
AWSVN-58D-835M	835	144	108	19,84	59	688	119	76	12,56	53
AWSVN-58F-964M	964	167	74		58	775	134	50		53

Room (environment) temperature = 25 °C. Water inlet T = 40 °C. Water outlet T = 35 °C.