

MARK FRESH AIR DISINFECTION UNIT (MDU)

The MDU is a great weapon
in the fight for cleaner air
and better health



Medical UVC germicidal lamp



MARK customized ultraviolet germicidal lamp can concentrate high intensity to kill bacteria and viruses in a short time.

The wavelength of 254nm is easily absorbed by living organisms.

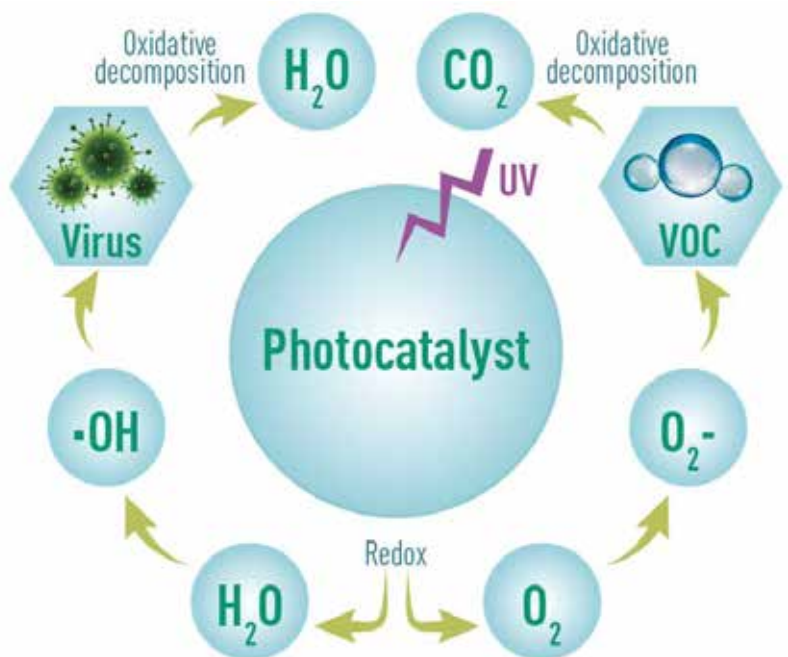
The UVC light is able to destroy microorganisms.

12000 HOURS
Average lamp lifetime upto 12000 Hours

UV<25%
Low UV depreciation: less than 25%, after 8000 hrs working time

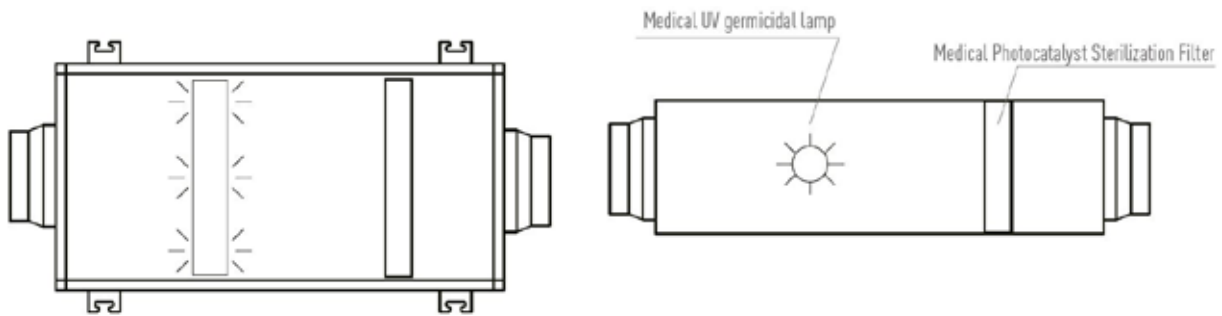
Medical Photocatalytic Filter

The germicidal UVC light irradiates the photocatalytic material (dioxigentitanium oxide) to combine water and oxygen in the air for a photocatalytic reaction, which will quickly produce a high concentration of advanced germicidal ion groups (hydroxide ions, superhydrogen ions, negative oxygen ions, hydrogen peroxide ions, etc.). The oxidizing and ionic properties of these advanced oxidation particles will decompose the chemically harmful gases and odors quickly, subside the suspended particulate matters, and kill the microbial contaminants such as viruses, bacteria, and mold.



Features

- ① **Efficient inactivation**
Kills the virus in the air in a short time, greatly reducing the possibility of virus transmission.
- ② **Effective**
A variety of purification ions are generated and emitted to the entire space, and various harmful pollutants are actively decomposed, which is efficient and comprehensive.
- ③ **Zero pollution**
No secondary pollution and zero noise.
- ④ **Reliable and convenient**
- ⑤ **High quality, convenient installation and maintenance**
Application: residential houses, small offices, kindergartens, schools and other places.



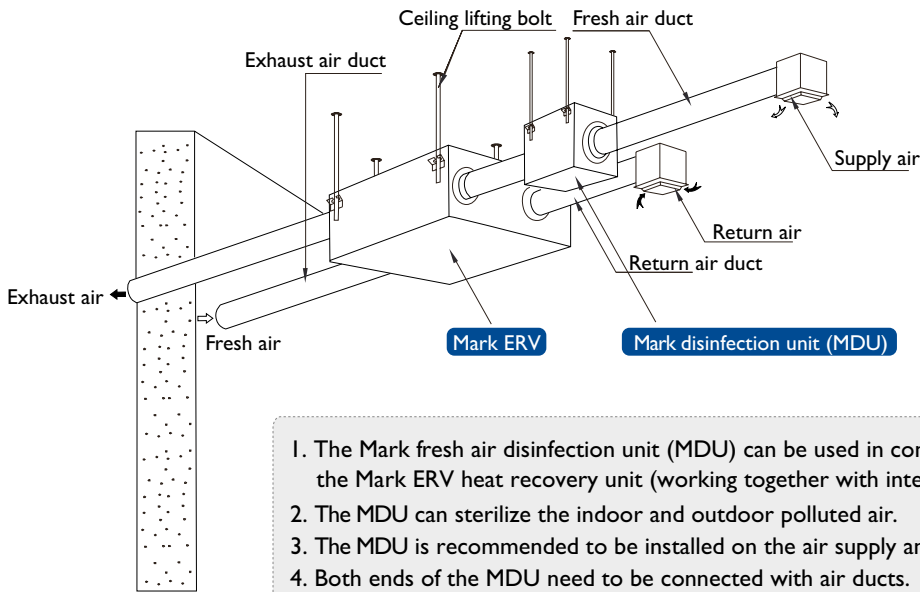
Specifications

Model	Disinfectant air flow (m ³ /h)	Voltage (V)	Power (W)	Duct diameter (mm)	Access door size (mm)	Machine size (W*H*D)	Weight (kg)	External pressure (Pa)
MDU-500*	≤ 600	230	6	Ø 198	500x500	602x460x270	6	5
MDU-1000**	≤ 1300	230	6	Ø 242	550x550	650x520x388	7.8	5

* Suitable for ERV 500

** Suitable for ERV 1000

Installation instructions



1. The Mark fresh air disinfection unit (MDU) can be used in conjunction with the Mark ERV heat recovery unit (working together with interlock control).
2. The MDU can sterilize the indoor and outdoor polluted air.
3. The MDU is recommended to be installed on the air supply and exhaust ducts.
4. Both ends of the MDU need to be connected with air ducts.

About the Mark ERV heat recovery unit

CEILING HEAT RECOVERY UNIT WITH AN EFFICIENCY UP TO 86%

The Mark ERV is the ideal solution for energy efficient ventilation and a comfortable indoor climate. The appliance is equipped with a high efficiency counter flow heat exchanger with an heat recovery efficiency of 75-86%. This means that 75-86% of the energy expelled is supplied to the fresh intake air. This high efficiency means that in many cases no after-heating is required.

Possible applications for the ERV include offices, showrooms, apartment complexes and schools.

CHARACTERISTICS

- High efficiency for optimal air comfort
- No condensation drain required
- Exchange of heat and moisture
- Energy-saving BLDC motor with 10 speeds
- Innovative HR counter flow exchanger
- Low weight
- Indoor installation
- Automatic bypass, intelligently controlled by outside temperature
- Plug & play control, optional CO₂ and humidity control function, remote control and Modbus/BMS control available
- Optional: Electric re-heaters
- ErP 2018 ready!



TECHNICAL SPECIFICATIONS

Type		ERV500	ERV1000	ERV2000
Air amount	m ³ /h	441	1208	1680
External pressure	Pa	60	110	110
Cooling efficiency	%	62-74	65-74	65-74
Heating efficiency	%	67-75	71-78	71-78
Temperature efficiency	%	75-86	75-85	75-85
Noise level (1m)	dB(A)	39	43	51.5
Supply voltage	V	230	230	230
Power	W	88	243	486
Weight	kg	43	83	189

mark
CLIMATE TECHNOLOGY

FEELS BETTER, WORKS BETTER.

WWW.MARKCLIMATE.COM

MARK Climate Technology

Beneden Verlaat 87-89
9645 BM Veendam
The Netherlands

T: +31 (0)598 656623
E: info@markclimate.com
I: www.markclimate.com

MARK EIRE BV

Coolea, Macroom
Co. Cork
PI2 W660 (Ireland)

T: +353 (0) 26 45334
E: sales@markeire.com
I: www.markeire.com