

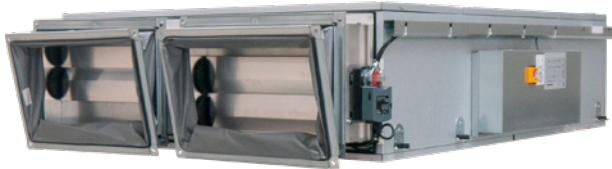
FLAT LINE

Heat recovery unit

Ceiling heat recovery unit.
Air displacements of 150 - 3300 m³/h.



For more information, downloads
and videos, visit the FLAT LINE
page on our website



Ceiling heat recovery unit with an efficiency up to 93%

The Mark FLAT LINE compact heat recovery unit is the ideal solution for energy efficient ventilation and a comfortable indoor climate. The appliance is equipped with a high efficiency counter flow heat exchanger with a heat recovery efficiency of 93%. This means that 93% of the energy expelled is supplied to the fresh intake air. This high efficiency means that in many cases no after-heating is required.

The ceiling heat recovery units are tested in the factory and are supplied Plug & Play.

Possible applications for the FLAT LINE include offices, showrooms, apartment complexes and schools. Due to the low height of the devices they are ideal for placing above suspended ceilings.

The Mark ERV is intended as a decentralized heat recovery unit. For central heat recovery, please refer to the Mark AERFLOW.

Product features

- High efficiency for optimal air comfort
- Flat heat recovery unit suitable for ceiling mounting
- High efficiency aluminium counter flow exchanger with an efficiency up to 93%
- Double-walled insulated steel housing, supplied with mineral wool.
- EC-motors (IE4)
- Supply filter ePM2,5 65%
- Return filter ePM10 50%
- Intergrated multifunctional Plug & Play control
- Modbus
- Service acces: underside
- Condensation drain required (2 pieces)

Optional:

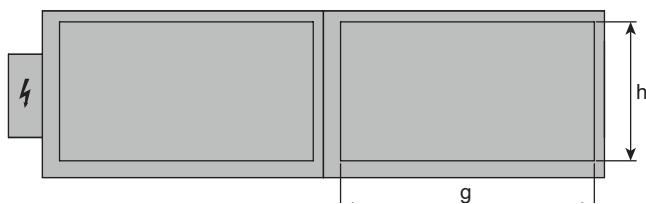
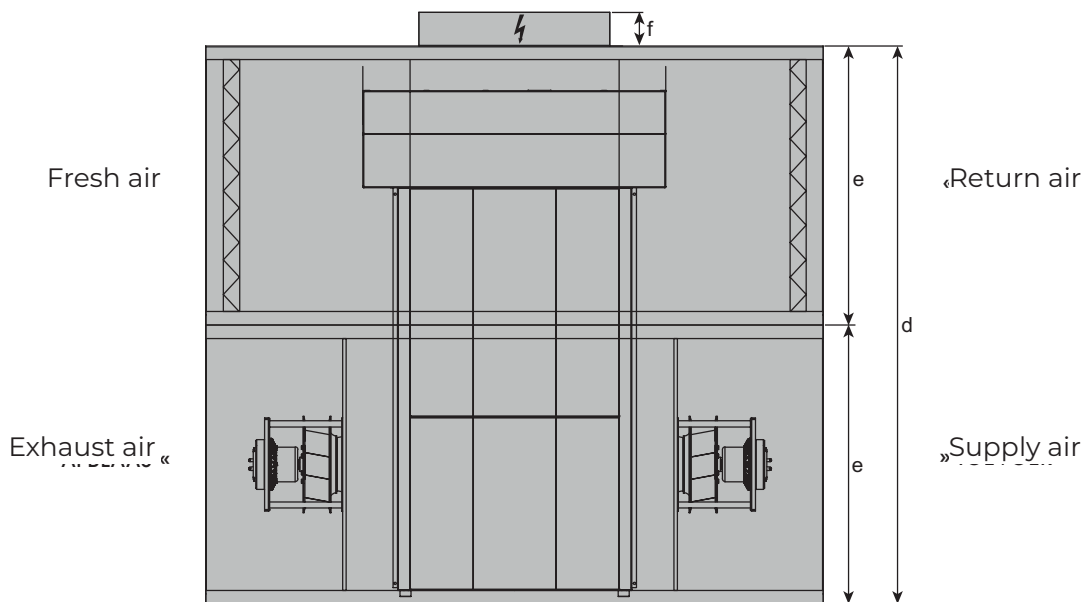
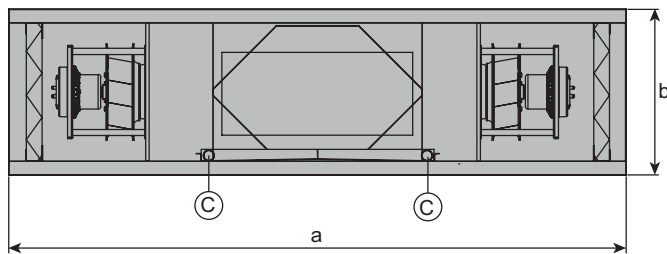
- Water-supplied after-heating/cooling
- Electric after-heating
- DX-change-over coil
- Bag filters
- Attenuator
- Flexible connections
- Round connections
- Damper

Prices on request.

Dimensions standard unit*

Type	a	b	d	e	f	g	h
500F	1251	400	830	415	100	318	335
1000F	1500	400	1190	595	100	318	515
1500F	1500	400	1590	795	100	318	715
2000F	1826	490	1650	825	100	408	745
3000F	1826	490	2200	1100	100	408	1020

C = Condensation drain
* Non-standard units on request



Technical information

Type		500F	1000F	1500F	2000F	3000F
Nominal air flow	m ³ /h	500	1000	1500	2000	2500
Air amount (range)	m ³ /h	150 - 650	300 - 1100	450 - 1650	600 - 2200	900 - 3300
External pressure	Pa	200	250	300	300	300
Noise level @ 1m	dB(A)	52	55	57	59	57
Voltage	V	230	230	230	230	230
Power	W	2 x 160	2 x 240	2x 420	2 x 520	2 x 760
Weight	kg	171	242	292	361	468